

# Q8 Model

Handheld Smart Laser Marking Machine

Average output power:

20W



Hand-held and portable,  
wireless marking



6-8 hours long  
battery life

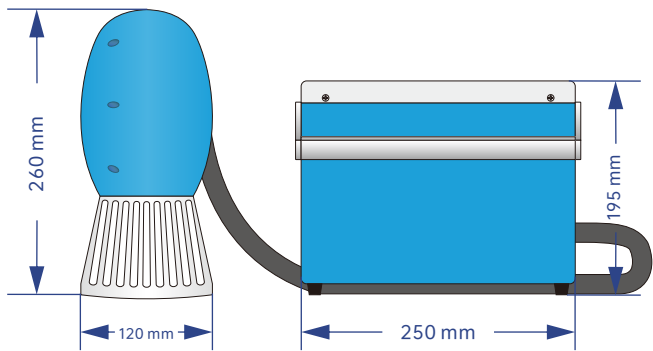


## PRODUCT DESCRIPTION

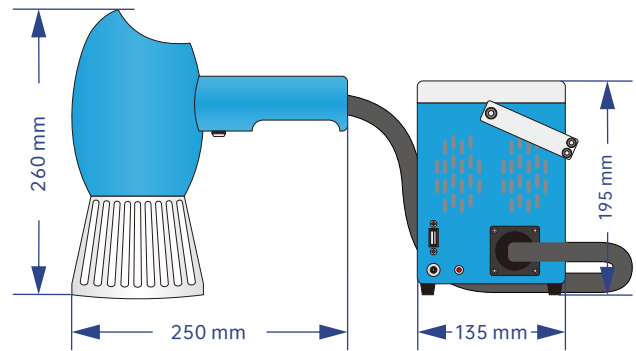
The Q8 handheld smart laser machine is a portable, battery-powered and fully autonomous marking machine. Due to its powerful 24V rechargeable lithium battery power supply system, it can maintain 6-8 hours of work under normal use, with strong endurance and no cable drag, avoiding the embarrassment of sudden power failure during use. **Its light weight and multiple functions make it especially suitable for perfect marking on large, cumbersome or difficult to move workpieces.**

Q8 is powerful, sturdy and reliable. The weight of the machine is 6 kg. Its marking head is only 1.25 kg. It has an ergonomic grip that comfortable to hold and easy to operate. It supports rear USB interface. Software support: text, pattern, two-dimensional code, barcode, serial number, graphics and other marking content. In addition, Q8 also has a special box that is convenient for storage and can be carried to different locations. It is one of the smallest rechargeable laser marking machines on the market.

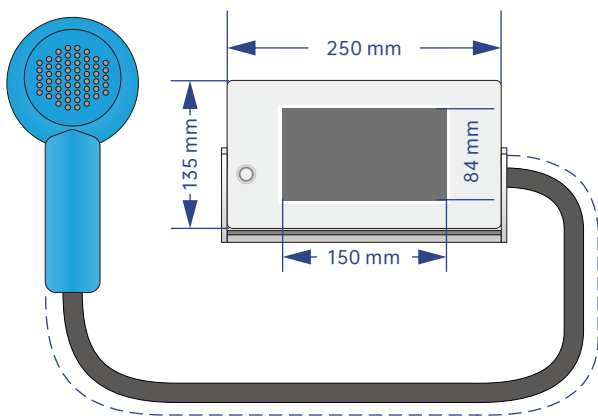
## PRODUCT SIZE



FRONT VIEW

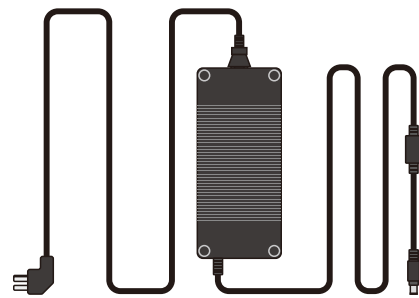


END VIEW



Laser source circuit 1160 mm

VERTICAL VIEW



Power cable 2000 mm

Power charger

## PRODUCT PARAMETER

Model		Q8
Laser parameter	Laser source model	MFP-20X
	Outputpower	20W
	Beam quality M <sup>2</sup>	≤1.4
	Pulse repetition frequency	27-60 kHz
	Laser wavelength	1064±5
	Output power stability	< 3%
	Working life	About 100,000 hours(Non-lifetime)
Optical properties	Marking area	70mm
	Engraving depth	≤1mm(Depending on power and time)
	Engraving speed	≤10000mm/s
	Repeatability	±0.002
	Min mark line width	0.1mm
	Minimum character height	0.15mm
Use environment	Battery life	It can work for 6-8 hours under normal use in one day
	Cooling way	Built-in air cooling
	System power supply	500W / 100-240V / 50/60Hz
Other parameters	Operating system	linux system
	File format	The software supports text, pattern, two-dimensional code, barcode, serial number, graphics and other marking content (standard USB input)
	Dimension	Control chassis: 250X135X195 mm Marking head: 250X120X260 mm
	Machine weight	Machine 6kg, Marking head 1.25kg

## SCOPE OF APPLICATION



Automobile manufacturing industry



Aerospace industry



Metal processing industry



Construction machinery industry



Household appliance industry



Energy industry

## PRODUCT ADVANTAGES



### 1. Wireless marking

- Configure 24V lithium battery to achieve complete wireless
- It can maintain 6-8 hours of work under normal use, with strong endurance
- Automatic start-stop design, automatic shutdown after 60 seconds of standby, saving power and reducing consumption.

### 2. 100% portable

- The weight of the whole machine is 6KG, the marking head is only 1.25KG, it is small and light, and it can be printed on the go
- Especially suitable for marking on large, heavy or difficult to move workpieces
- Special suitcase for easy transportation

### 3. High-quality light source

- The weight of the whole machine is 6KG, the marking head is only 1.25KG, it is small and light, and it can be printed on the go
- Especially suitable for marking on large, heavy or difficult to move workpieces
- Special suitcase for easy transportation

## PRODUCT CHARACTERISTICS



### THE WHOLE MACHINE WEIGHS 6KG, IT IS LIGHT AND PORTABLE TO MARK ANYWHERE.

Powerful and reliable, the weight of the whole machine is 6 kg, and its marking head is only 1.25 kg. It has an ergonomic grip that comfortable to hold and easy to operate.

### ADVANCED FIBER 20W LASER

Using MAX 20W fiber laser source, the spot quality is good, the output light power is stable, and it can be flexibly applied to metal materials and some non-metal materials.



### LONG BATTERY LIFE, 6-8 HOURS WORKING TIME

It uses 24V lithium battery to achieve complete wireless, which can maintain work for 6-8 hours under normal use.

### MARKING WHILE CHARGING, THE DEVICE CAN BE CHARGED AND USED AT WORK

Increased power control design, the equipment can be charged during work, to achieve continuous work and improve processing efficiency



## PRODUCT CHARACTERISTICS

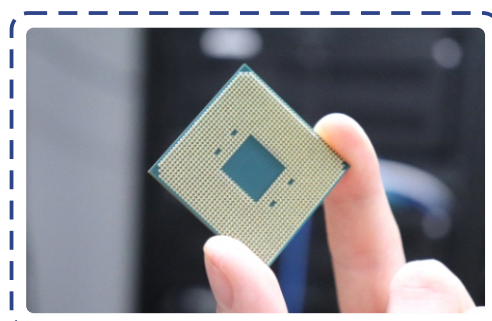


### AUTOMATIC START AND STOP DESIGN, SAVING ELECTRICITY AND REDUCING CONSUMPTION

Added automatic start-stop design, it will automatically stop after 60 seconds of standby and restart by tapping the screen;The standby time can be customized to effectively save unnecessary power consumption

### EIGHT-CORE CPU, CONFIGURE LINUX SYSTEM

The host adopts an 8-core processor and is equipped with a Linux system with a high security level. It has stable performance, fast response speed and is not easy to be poisoned and downtime.



### DIVERSIFIED MARKING CONTENT, SUPPORT LANGUAGE CUSTOMIZATION

Rear USB interface, software support: text, pattern, QR code, barcode, serial number, graphics and other marking content;It supports operating system language customization.

### LOGO CAN BE CUSTOMIZED

The boot page of the operating system and the LOGO in the upper left corner can be customized



# MARKING EFFECT



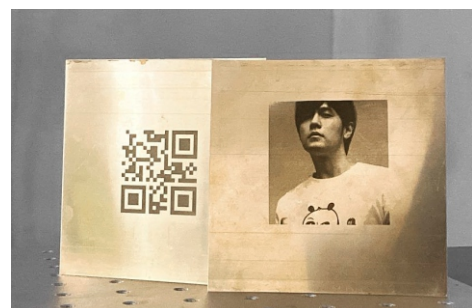
● Metal steel



● Metal iron



● Metal aluminum



● Metal copper



● Electroplating paint



● Painting material



● Hard plastic



● Wood